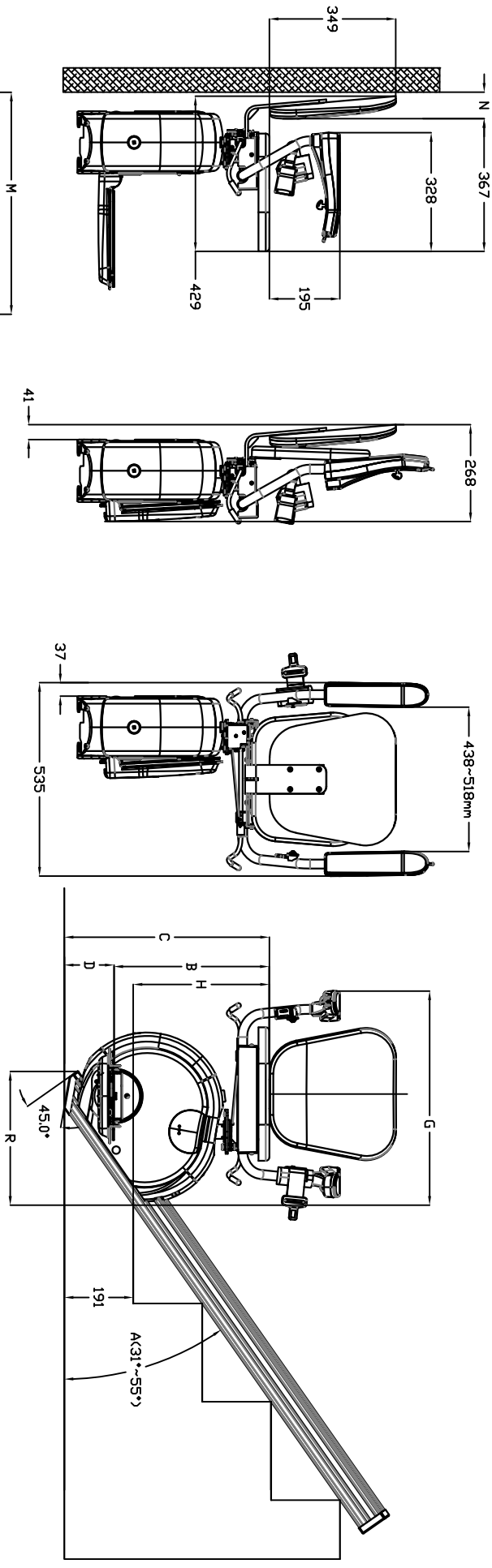


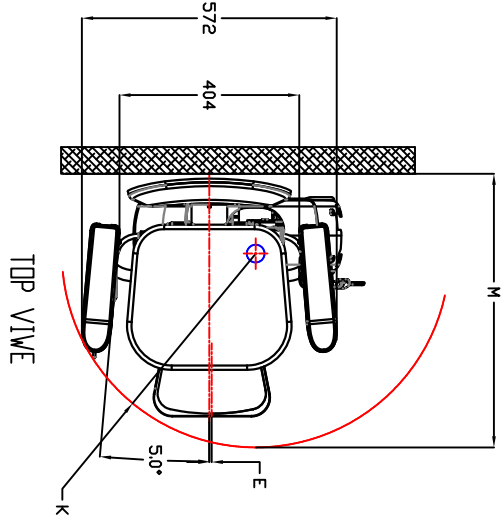
# Essential Stairlift Dimensions

REVISIONS			
REV	ECO. NO.	DATE	REVISED BY



AK31°~55°)	B	C	D	E	G	H	R
31°	424mm	550mm	126mm	10mm	631mm	360mm	409mm
35°	430mm	554mm	124mm	5mm	611mm	363mm	367mm
40°	435mm	561mm	126mm	24mm	591mm	370mm	326mm
45°	438mm	557mm	119mm	44mm	589mm	367mm	292mm
50°	440mm	562mm	122mm	64mm	582mm	371mm	257mm
55°	440mm	565mm	125mm	83mm	581mm	374mm	227mm

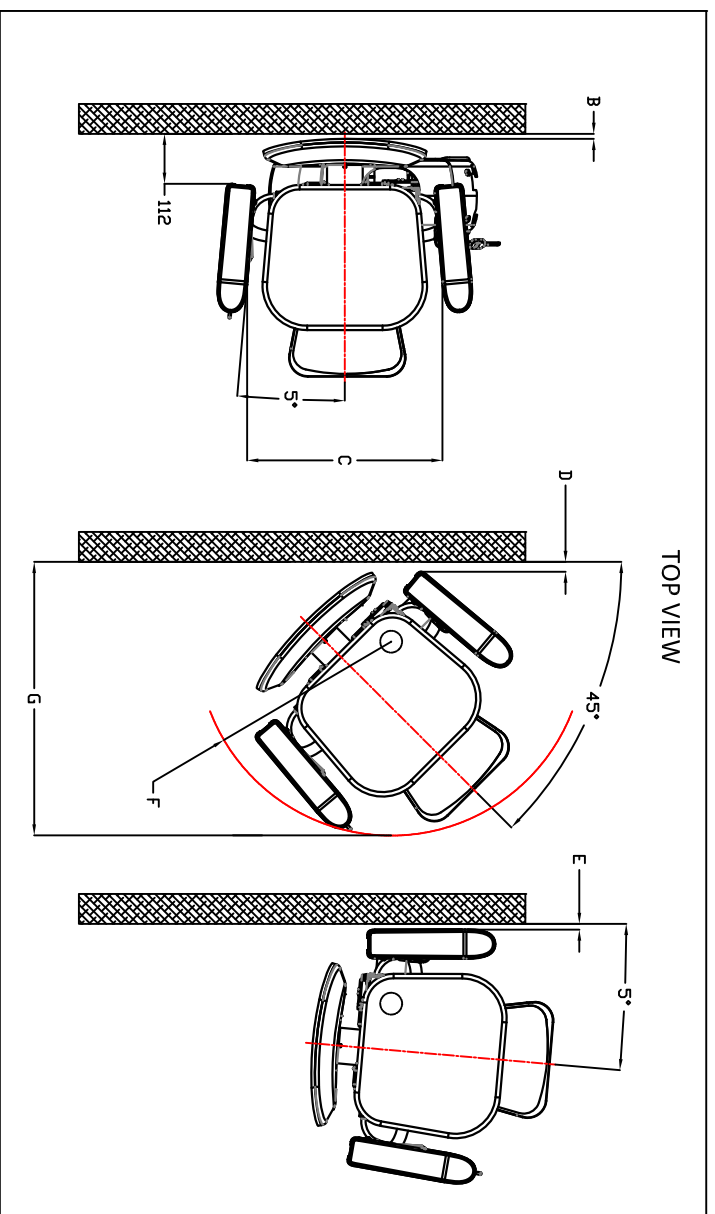
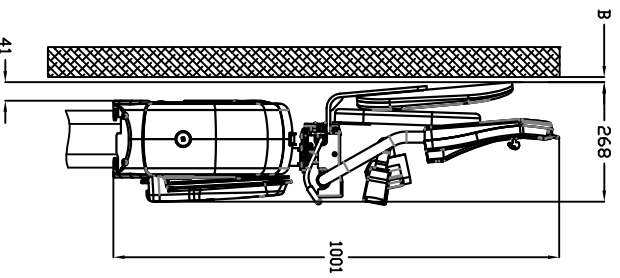
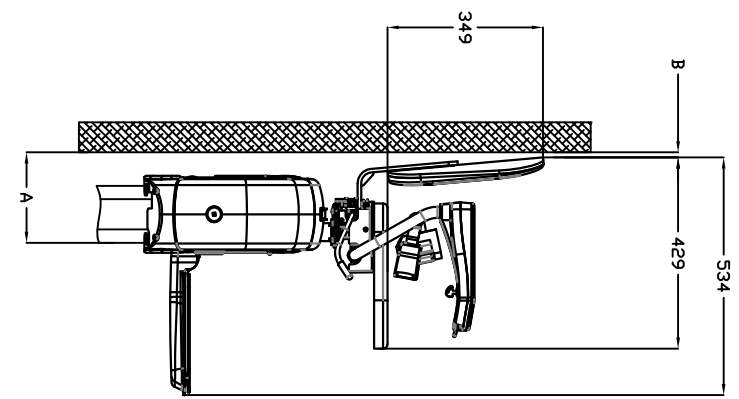
	K	M	N
SEAT AT NORMAL WIDTH	438mm	614mm	73mm
SEAT AT MIDDLE WIDTH	478mm	453mm	93mm
SEAT AT BIGGEST WIDTH	518mm	471mm	113mm



TITLE:	L-SEAT DIMENSIONAL LAYOUT	FINISH:	SHEET 1 OF 2	DRAWING NO:		REVISION:	
DIMENSIONS SHOWN ON ALL DRAWINGS ARE IN INCHES UNLESS OTHERWISE SPECIFIED. DIMENSIONS IN PARENTHESIS ARE IN MILLIMETERS.		DO NOT SCALE DRAWING.		REMOVE ALL BURRS & SHARP CORNERS.		SCALE: 1:1	
MATERIAL:	XX = 3.00 (76.2) X 4.00 (101.6) ANGLE X YY = 1.50 (38.1) X 2.00 (50.8) ANGLE X	DRAWN BY:	DATE:	2005-12-11	DRAFTER:		VERSION:

SIZE	B
------	---

# Essential Stairlift Dimensions



	A RAIL FRONT TO WALLS	B SEAT BACK TO THE WALL	C SEAT WIDTH	D CARR TO WALL AT 45°	E CARR TO WALL AT 90°	F TURNING RADIUS	G MAX DISTANCE
SEAT AT NORMAL WIDTH	2032mm	11mm	438mm	22mm	13mm	435mm	614mm
SEAT AT MIDDLE WIDTH	2232mm	31mm	478mm	27mm	13mm	453mm	652mm
SEAT AT BIGGEST WIDTH	2432mm	51mm	518mm	34mm	13mm	471mm	690mm

<b>LEHNIER</b> LIFTECHNIK		UNLESS OTHERWISE SPECIFIED ALL DIMENSIONS ARE IN INCHES. ALL DIMENSIONS IN [ ] ARE METRIC.		DO NOT SCALE DRAWING		REMOVE ALL BURRS & SHARP CORNERS		REVISION	
TITLE: L-SEAT MOUNTING DIMENSION		MATERIAL: XX = 3.10 (XX = 4.00) 10950 XX = 3.10 (XX = 4.00) 10950 ANGLES X X = 45° X = 45°		DRAWN BY:		DATE: 2015-12-11		DRAFTER:	
FINISH:		SCALE: 1:1		SHEET 2 OF 2		DRAWING NO:		VERSION B	

REVISIONS			
REV	ECO. NO.	DATE	REVISED BY