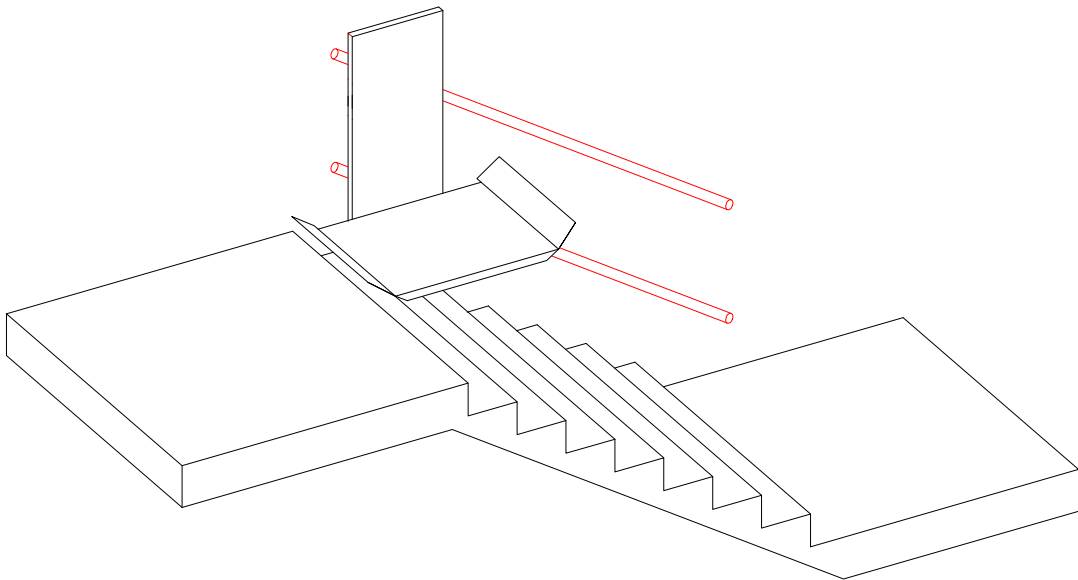


# **LEHNER** **LIFTTECHNIK**

## User Manual



**≡ STRATOS ≡**  
*Stairlift*  
**CE**

**CONTENTS**

- Introduction ..... 2**
- Key to Symbols Used in this Handbook ..... 3**
- ATTENTION - SAFETY FIRST ..... 4**
- The STRATOS stairlift..... 7**
  - General layout: ..... 7**
  - Technical details ..... 8**
  - Drive..... 9**
  - Battery charge system ..... 10**
  - The beeper ..... 10**
  - Landing controls ..... 11**
  - Platform controller: ..... 11**
- OPERATION ..... 12**
  - General ..... 12**
  - Main power switch..... 12**
  - The following comments are valid only for carriages equipped with a manual platform: ..... 13**
    - Calling of the platform..... 13
    - Unfolding the platform ..... 13
    - Driving/Moving onto the platform ..... 14
    - Travelling ..... 14
    - Leaving the platform ..... 16
  - The following comments are valid only for carriages equipped with automatic platforms and barriers: ..... 17**
    - Wall controls ..... 17
    - Driving/Moving onto the platform ..... 18
    - Driving/Moving onto the platform ..... 19
    - Travelling ..... 20
    - Leaving the platform ..... 22
- TROUBLESHOOTING..... 23**
- RESCUE OF PASSENGERS ..... 26**
  - Emergency unclamping of barriers: ..... 29**
- ERECTION..... 30**
  - Electrical installation..... 30**
  - Installation..... 30**
  - Dismantling ..... 30**
- CHARGES OF THE OPERATOR..... 31**
- MAINTENANCE ..... 32**
  - Check-up and care..... 32**
  - Installation and maintenance notes..... 33**

## **Introduction**

Congratulations on your decision to buy a Lehner-Stairlift, and welcome to the growing circle of satisfied customers.

The *STRATOS* stairlift marks the beginning of a new generation of platform stairlifts equipped with a well-established power train.

Quiet and easy operation, low operating costs, and appealing and space saving design are just a few of the outstanding features of STRATOS lifts.

To ensure flawless lift function, please utilise this STRATOS user handbook. It offers many helpful operating instructions as well as important safety hints.

Please take advantage of the many years of experience we have summarized in this user handbook. Common sense handling and regular servicing serve as a basis for the safe and reliable operation of your platform lift for many years. LEHNER LIFTTECHNIK and its authorized partners offer a special maintenance program adapted to the frequency of use of the lift.

Please be informed that LEHNER LIFTTECHNIK stairlifts assumes no liability for breakdowns caused by either the non-observance of instructions provided in this handbook or incorrect handling. In these cases, LEHNER LIFTTECHNIK stairlifts must charge the customer for all costs incurred in fixing the problem.

Now enjoy your *STRATOS* stairlift!

## Key to Symbols Used in this Handbook

The following signs stress important passages:



Pay attention to all paragraphs marked with this sign. These paragraphs contain important hints that will insure flawless operation of the lift.



**WARNING!** Important safety advice! Observing these instructions greatly reduces the possibility of hazardous situations.



Pay attention! Do not execute the actions marked with this sign!

Photo

All in this handbook shown photos or pictures are symbolic and can differ from reality

## **ATTENTION - SAFETY FIRST**

Please pay careful attention to the next points/instructions!



### **Operator of the *STRATOS* stairlift**

For every *stairlift* minimum one responsible person has to be appointed; during the operation of the unit this person has to be easily reachable. The unit has to be preserved failsafe. In case that the unit is acknowledged as not failsafe, it has to be closed down immediately; Accidents have to be notified to the manufacturer immediately.

The responsible person has to get sure once a week that no obviously dangerous defects exist and that the within capture „CHARGES OF THE OPERATOR“ explained tasks are perceived.



### **User group:**

Only specially instructed persons are to use the *STRATOS* stairlift and must take responsibility for all others who are present.

Users who are not able to fulfil these requests, as well as children, need an attendant person who takes responsibility over the user.



### **Setup area:**

*STRATOS* lifts can be mounted on staircases and ramps. The lift, however, is not designed for use in unusual areas (like areas in danger of explosion, areas surrounded by aggressive chemical substances, ...). Outdoor use is possible, but the parts must remain clear of ice and snow in winter.



### **Duty cycle:**

The *STRATOS* stairlift was constructed for being 4 minutes in motion per 10 minutes. In case that the stairlift is permanently in operation, the motor could get too warm and becomes defective.



### **Keys:**

Keys should be kept in a safe place, away from those who are not to use the lift. Remove the key from the control when not in use.



### **Provision application**

- ➔ *STRATOS* stairlifts must only be used for the transport of persons in wheelchairs or sitting on the fold down seat.
- ➔ Never use the stairlift in the standing position.
- ➔ *STRATOS* stairlifts must not be used for freight transportation.
- ➔ Lock both the lift and the platform after use. Do not let children play on the lift.
- ➔ Do not exceed the maximum platform load or maximum wheelchair size.
- ➔ Pay attention to the instructions provided on the lift.
- ➔ Pay attention to the following points for the correct use of the stairlift.



Load capacity:

The maximum load is indicated on the sideboard of the carriage.

Do not exceed this limit!



### **Attention:**

The stairlift can only be used by one person at one time. It is not allowed to transport an attendant person.



Keep hands and fingers away from the back of the carriage! Passengers must remain in the wheelchair or seat while the lift is operating.



Persons walking up or down the stairs while the lift is being operated must avoid contact with the platform. Platform users should take into consideration that the platform needs more space in a bend than on a straight railway. Therefore, before moving, look to see if anyone is using the stairs or if there are any obstacles.



### **Emergency stop**

An emergency stop is fitted on the carriage. In case of emergency press the red STOP-switch and the lift will stop immediately. To unclamp the STOP-switch, it is necessary to press it once more or to turn it clockwise.



### **Emergency call**

In case that it is necessary for the individual user (for example: extrication stuff is only reachable over the emergency call) or the authority enjoins it, the stairlift can be executed with an emergency call button to summon for help. By pressing the emergency button a loud emergency signal rings out.



### **Attention!**

Do not use lift in the case of a fire. A power out can lead to dysfunction of the lift!



**STRATOS** stairlifts are equipped with the following safety features:

- drive with self-locking gear and break
- overspeed governor
- side access ramps, locked
- mechanical bolted barriers
- optional: safety pads around the platform used for carriages without ramps  
safety pads on the underside of the platform



Do not disable any safety feature of the lift by modifying mechanical or electrical parts of the lift. Please contact LEHNER or one of its authorised partners for service!



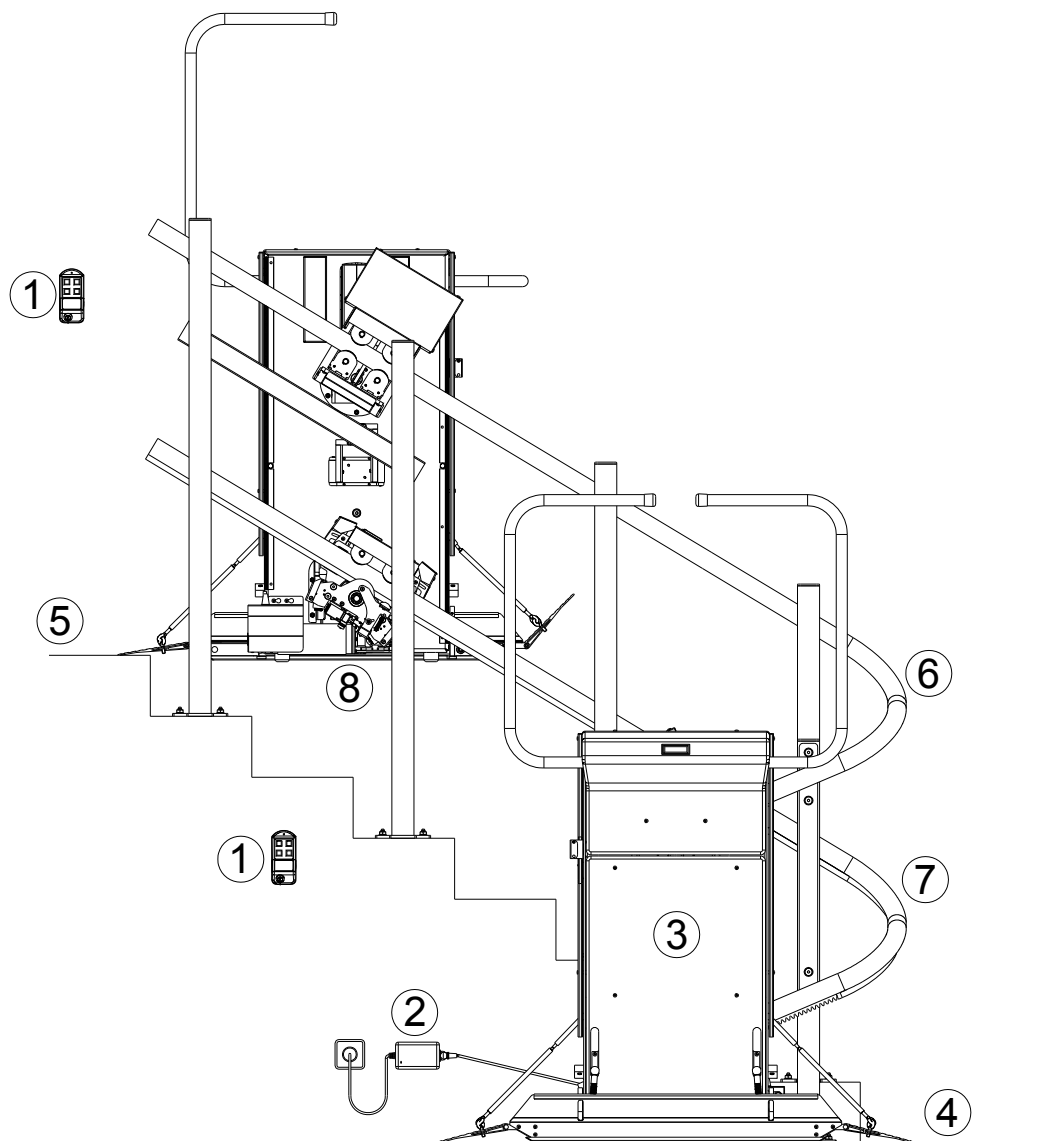
We recommend preventive checks, i.e. a regular servicing of the STRATOS stairlift will insure safe operation for a long time. Any abnormal operation of the lift should be reported to the servicing engineer. In the case of irregularities such as vibrations or abnormal noise emissions, do not use the lift. Call LEHNER for help! Follow all instructions given by LEHNER experts, fitting teams and service staff.



Lift up the upper armrest before moving onto the platform or leaving the platform when using a carriage with seat performance!

## The **STRATOS** stairlift

### General layout:



1. Wall control
2. Recharger
3. Carriage with drive
4. Lower stop position
5. Upper stop position

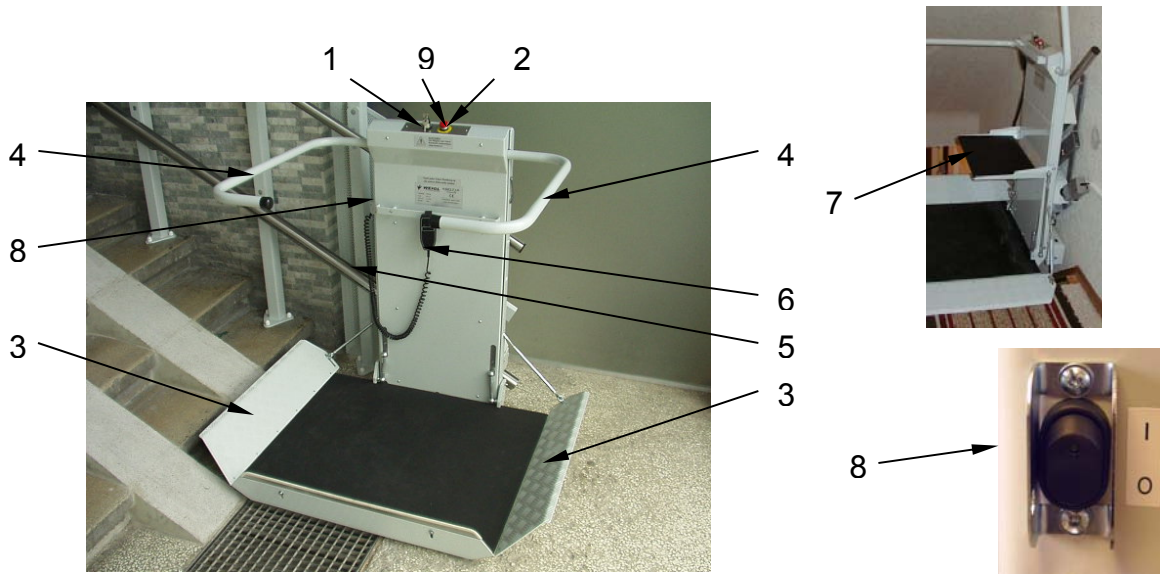
6. Upper rail
7. Lower rail
8. Backside of platform



## Technical details

Feature	Detail
Railway	Gradients 0...45°
Speed	appr. 0,1 m/s
Power	0,5 kW
Voltage	24V DC 1 x 230 V for recharger
Position of drive	Inside carriage
Site	Indoor and outdoor
Tolerable temperatures	-20°C to +40°C
Carriage model	Platform for wheelchairs Platform / folding seat
Platform size	standard 700 x 750 mm standard 750 x 850 mm standard 800 x 900 mm standard 800 x 1000 mm Optional size
Load capacity	standard 225 kg optional 300 kg
Surface protection of lift	Powder coated
Drive rails	Powder coated or Stainless steel
Noise	< 70 dB(A)

**Carriage with platform for wheelchairs**

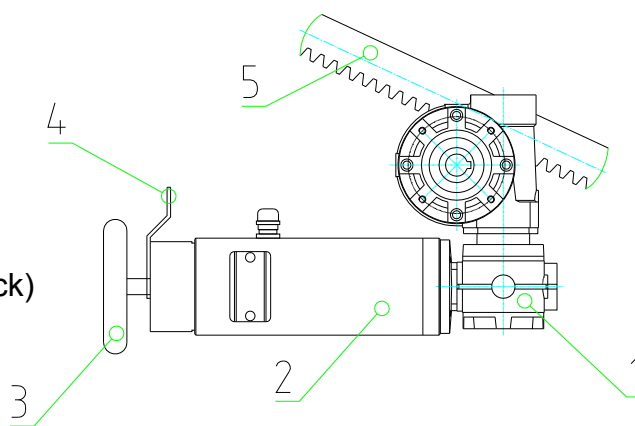


- |                       |   |
|-----------------------|---|
| 1. Key switch         | 6. Directional control                      |
| 2. Emergency STOP     | 7. Folding seat (option)                    |
| 3. Ramps              | 8. Main control button at the carriage side |
| 4. Barriers, liftable | 9. Green lamp                               |
| 5. Carriage cover     |   |

**Drive**

(behind the carriage sidewall)

1. Gear box
2. Motor
3. Hand wheel
4. Hand lever for break release
5. Lower guide rail (=toothed rack)






## Battery charge system

The motor of the *STRATOS* stairlift is powered by batteries, which are reloaded by a recharger. The recharging occurs in the upper and lower stop positions by recharge contacts. As a consequence, if the DELTA is not in use it is important that it is parked in the stop positions.

To avoid an unintentional parking outside of the stop position an acoustic warn signal is installed.

## The beeper

-  Is the platform after 5 minutes after use not in the stop position then the beeper gives signals every second. If so, please bring the platform in the stop position.
-  If the lift is parked in the stop position and the beeper still gives signals then the recharge does not work. In this case please turn off main power switch of the lift and check if there are power outs in the building or if a fuse is not working properly. If any such errors are corrected and the beeper is still giving signals please contact the service company. It is possible that either the batteries or the recharger are defect.
-  If the battery voltage is too weak for normal drive operation then the beeper gives signals every 2.5 seconds. In this case please bring the carriage in the stop position to recharge the batteries. If the signal does not stop after recharging then the batteries might be defect and have to be changed by the service company. In the case of weak batteries the electrical control system is programmed in a way that the carriage always reached the lower stop position with the remaining battery voltage.

## Landing controls

The STRATOS stairlift is equipped with landing controls that communicate via radio with the carriage. With these controls the lift can be called and sent when the platform is closed. In the case of automatic platform the platform also can be opened and closed with the controls.

The controls are supplied by one 9 Volt battery. Optional a connection cable to a constant power supply is possible.

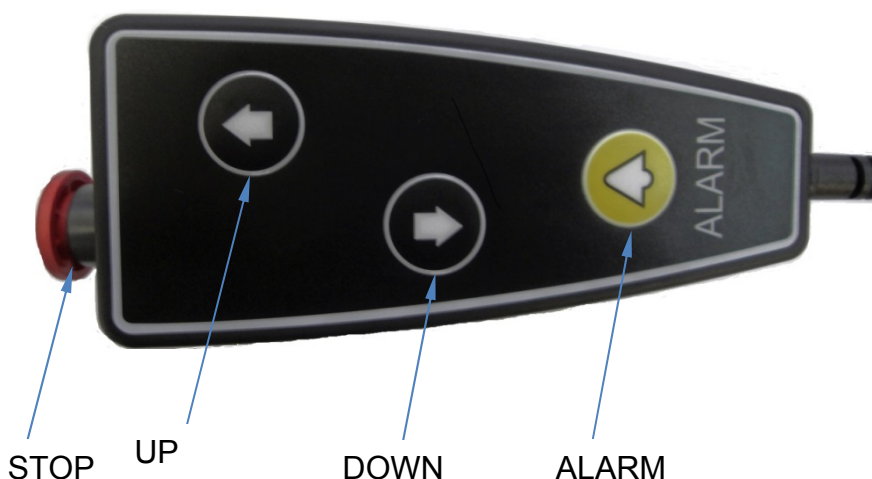
The life-time of the battery is about 1 year. In general the battery is changed by a service through the service company.

The functionality of the battery can be checked as follows:

In each wall control a green lamp is installed. This lamp start to flash if the key switch of the control is switched on and a control button is pressed. If the lamp does not flash then a change of the batteries will be necessary.

## Platform controller:

Handset on spiral cable with directional button, Stop and Alarm buttons



## OPERATION

### General

*STRATOS* lifts are safe and easy to use. The technical control of the lift is entirely adapted to the abilities of physically handicapped persons.

Please refer to the general layouts on the previous pages for a better understanding of the lift.

Operation distinguishes between lifts with manual or automatic platform. Manual platforms have to be opened using physical force, the barriers have to be lifted as well. Automatic platforms perform these functions automatically.

### Main power switch

The main power switch is located at the left side wall of the carriage and connects the plant to the batteries. For use of the lift, first turn on the main power switch. By switching off the main power switch, the lift cannot be used anymore (also not through the wall controls). If the main power switch and the key switch are switched on, the green lamp on top of the carriage is shining.

Main switch



After the main power switch is turned off the recharger is still under voltage. Before any work is done to the stairlift the power supply to the customer provided distribution box has to be interrupted.



Before operating the lift, ensure that the platform area is clear.

**The following comments are valid only for carriages equipped with a manual platform:**

### **Calling of the platform**

Most lifts are equipped with wall controls that allow control from either ends of the staircase.

If the platform is not on the level on which you want to move onto the platform, you can call the platform by using the wall controls:

Switch on the wall control by putting in and turning the key.

Press the "Up" or "Down"-Button and the platform moves into the direction as long as you hold the button and the green light starts to flash. The carriage travels as long as you keep pressed the directional button on the wall control.



Wall controls only control the lift when the platform is folded up.



Always make sure that you have eye contact with the lift when moving the carriage and immediately stop the lift if there is an obstacle in the way.



In the case the carriage doesn't stop after releasing the drive button the key switch has to be switched off to stop the lift.

### **Unfolding the platform**

- In order to enter the lift the platform or the seat has to be opened. When opening, the other controls are automatically switched off so that no other person can move the lift at the same time and a secure driving onto the lift is possible. In the case of a seat the arm rests also have to be unfolded.

### **Driving/Moving onto the platform**

When the unlocked barrier is opened, the ramp will automatically fold down. The barrier down to the staircase is always locked (excepting at the lower stop position = special customer request).



Always face the direction of travel, and use the wheelchair brake for safety.

Open barrier and enter platform



Close the barrier when on the platform. When the barrier is closed the ramps will automatically lift up. This is an additional safety feature that secures the wheelchair.



Lift up the upper armrest before moving onto the platform when using a carriage with seat performance!

Close barrier



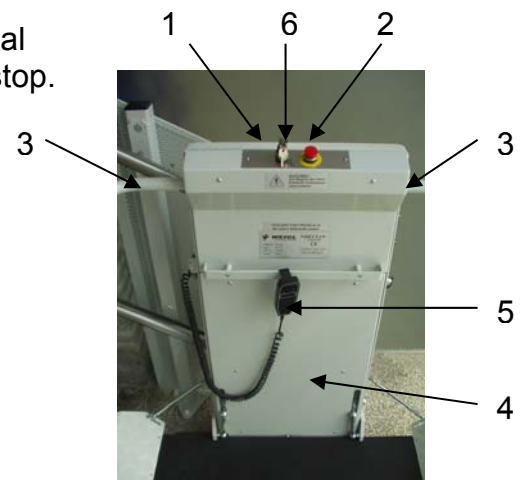
Use wheelchair brakes

### **Travelling**

The carriage control on the sidewall contains of a directional control on a spiral cable, a key switch and an emergency stop.

The platform contains a directional control, connected to a spiral cable, a key switch, an emergency stop and a green control lamp at the side of the platform. Optional there can be a key switch at the side of the platform.

1. Key switch
2. Emergency Stop
3. Barriers
4. Carriage cover
5. Drive controls (Up/down)
6. Green lamp



When the passenger has moved onto the platform in accordance with the “Driving/Moving onto the platform” instructions, the platform control must be switched on.

- Put in the key and turn it into “ON” position. The green lamp will start to glow.
- Now the carriage can be set in motion by pressing the “up” or “down” directional control. The carriage stops at all stop positions (upper-, lower-, intermediate stop) automatically. When the directional control remains pressed during an intermediate stop, the carriage will stop for about two seconds; then the carriage will continue travelling towards the planned stop position.

Schlüsselschalter einschalten

Fahrbahn beobachten und Fahrbefehl geben



Always watch the stair! If there is danger that the platform drives against an obstacle stop the lift by releasing the directional control button.

The lift automatically stops when driving into a stop position. If there is an intermediate stop the lift continues to drive after a pause of 2 seconds if the directional control button remains pressed.

The carriage stops also when the ramps or any other safety pad travels against obstacles!



As a safety measure, the plant is equipped with an emergency stop (red button on the control). In the unlikely event that the stairlift does not stop when the directional control button is released, press the emergency stop button, a self-locking button, and the lift will stop immediately. To unlock the emergency stop button, press it once more or turn it clockwise.




### Leaving the platform

The stairlift has been designed to stop in the correct position at each station. Release the directional control when the carriage has reached the desired stop position.

Turn off key switch and lift up the barrier




- Switch off the platform control by turning the key into "OFF" position. Take out the key.
- Lift the unlocked barrier and the ramps will automatically descend to the turn down position. Now you can leave the platform.


 Lift up the armrests before leaving the platform when using a carriage with seat performance!

Leave the platform



 To avoid unauthorised use of the stairlift, always switch it off with the key when not in use.

- After leaving the stairlift, lift down the barriers and fold up the platform. By folding up the platform the wall controls (landing controls) will be re-activated. The carriage can be sent to the desired parking position.

 If there is an acoustic signal 5 seconds after releasing the directional control button then the lift is probably not in the exact recharging position. Please reactivate the drive button to bring the lift in the final position.

Plattform geschlossen



The following comments are valid only for carriages equipped with automatic platforms and barriers:

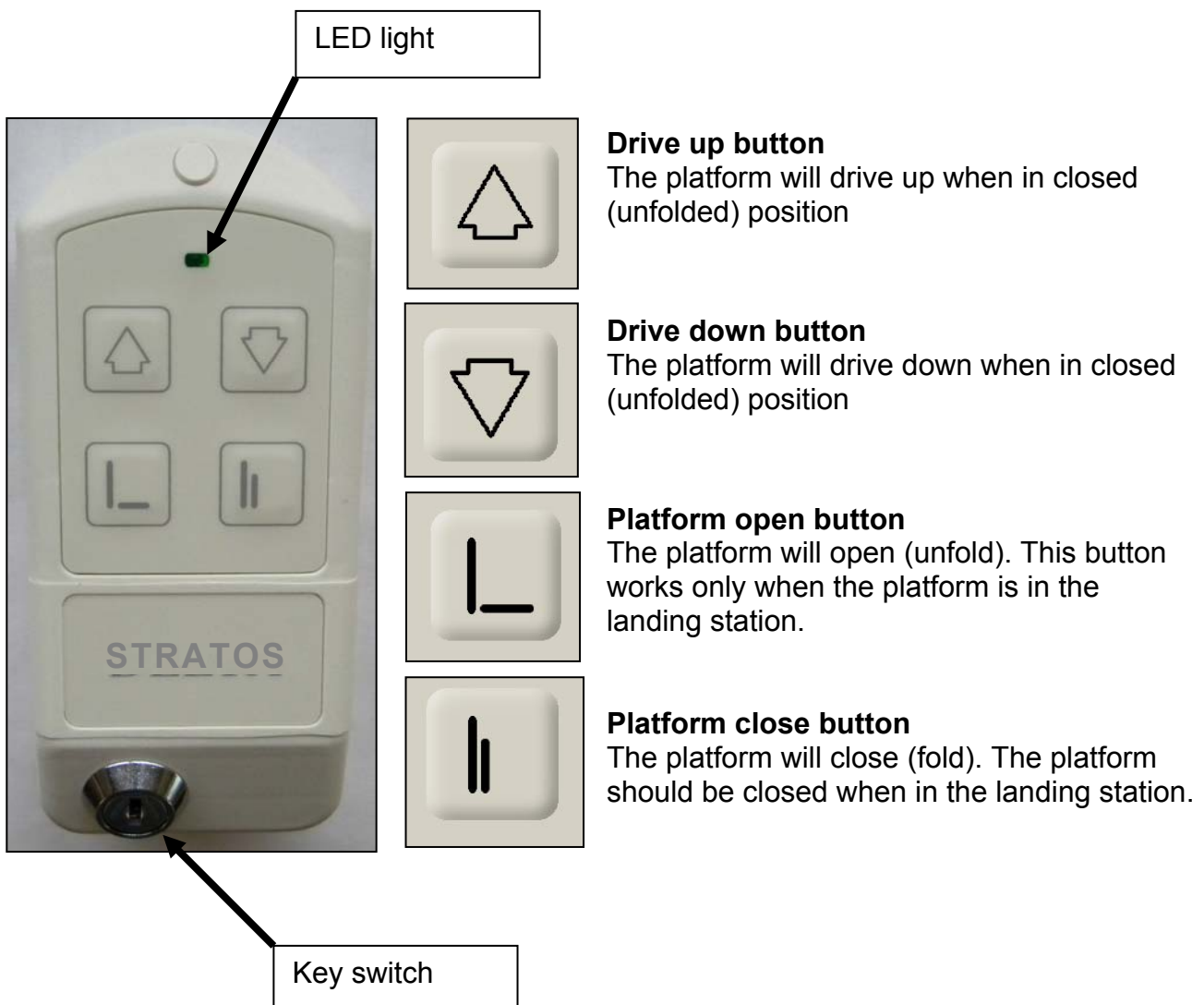
### Wall controls

All Delta installations are equipped with calling stations, with which you can call and send the lift. Call stations are located in the area of the upper and lower landing position.

Each landing call station needs to be activated with a key switch before use.

The call stations are needed to call and send the lift with closed platform and to open and close the platform in the landing stations.

A green LED light will start flashing when a command button is pressed.



Is the platform not on the level on which you want to move onto the platform, you can call the platform by using the wall controls:

Switch on the wall control by putting in and turning the key. Press the "Up" or "Down"-Button and the platform moves into the direction as long as you hold the button. The green light starts to flash! The carriage travels as long as you keep pressed the directional button on the wall control.



Wall controls only control the lift when the platform is folded up.

The carriage stops automatically at the stop position. To use the lift fold down the platform by using the "Open"-Button. Press the button as long as it takes that the platform is in horizontal position and the barrier has opened completely. Simultaneously the ramps turn down to the correct position enabling safe driving/moving onto the platform. When the platform is folded down, all controls other than the platform control lose their function. This allows safe movement onto the platform.

### **Driving/Moving onto the platform**

You can move onto the platform after you have opened the platform and the barrier in accordance with the former chapter.



Always face the direction of travel and use the wheelchair brake for safety.

- **Press the button for „open“** on the wall control as long as the platform is horizontally positioned and the barrier is opened. When opening, the other controls are automatically switched off so that no other person can move the lift at the same time and a secure driving onto the lift is possible. In the case of a seat the arm rests also have to be unfolded.



Always keep eye contact to the platform and make sure that nobody can be when opening the platform. If there is any danger, immediately stop the movement by releasing the pressed button.

Open platform  
and barrier



- Switch off the platform control by turning the key into "OFF" position. Take out the key.

**Driving/Moving onto the platform**

When the unlocked barrier is opened, the ramp will automatically fold down. The barrier down to the staircase is always locked (excepting at the lower stop position = special customer request).



Always face the direction of travel, and use the wheelchair brake for safety.

Close the barrier when on the platform. When the barrier is closed the ramps will automatically lift up. This is an additional safety feature that secures the wheelchair.



Lift up the upper armrest before moving onto the platform when using a carriage with seat performance!

Open barrier and enter platform



Close barrier



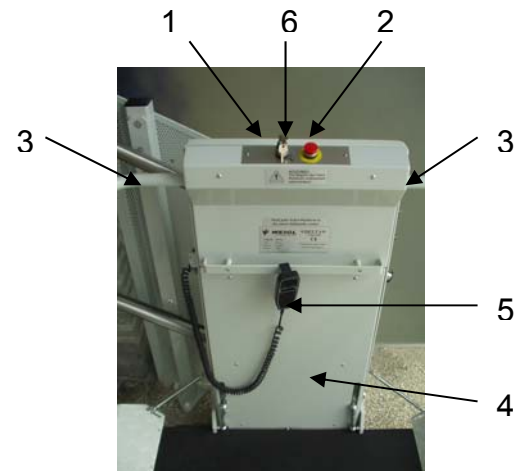
Use wheelchair brakes

## Travelling

The carriage control on the sidewall contains of a directional control on spiral cable, a key switch and an emergency stop.

The platform contains a directional control, connected to a spiral cable, a key switch, an emergency stop and a green control lamp at the side of the platform. Optional there can be a key switch at the side of the platform.

1. Key switch
2. Emergency Stop
3. Barriers
4. Carriage cover
5. Drive controls (Up/down)
6. Green lamp



When the passenger has moved onto the platform in accordance with the “Driving/Moving onto the platform” instructions, the platform control must be switched on.

- Put in the key and turn it into “ON” position. The green lamp will start to glow.
- Now the carriage can be set in motion by pressing the “up” or “down” directional control. The carriage stops at all stop positions (upper-, lower-, intermediate stop) automatically. When the directional control remains pressed during an intermediate stop, the carriage will stop for about two seconds; then the carriage will continue travelling towards the planned stop position.


Switch on the key switch



Switch on the key switch

Watch the carriageway and start travel



 Always watch the stair! If there is danger that the platform drives against an obstacle stop the lift by releasing the directional control button. The carriage stops also when the ramps or any other safety pad travels against obstacles!

The lift automatically stops when driving into a stop position. If there is an intermediate stop the lift continues to drive after a pause of 2 seconds if the directional control button remains pressed.

- **The lift automatically stops** in all stop positions (upper, lower and intermediate). It also stops when colliding with an obstacle.
- After the lift stopped the drive button must be kept pressed until the barrier opens. If you don't want to stop at an intermediate stop position briefly release the drive button and activate it again in the same direction. The lift will briefly stop and then continue to drive in the desired direction.



As a safety measure, the plant is equipped with an emergency stop (red button on the control). In the unlikely event that the stairlift does not stop when the directional control button is released, press the emergency stop button, a self-locking button, and the lift will stop immediately. To unlock the emergency stop button, press it once more or turn it clockwise.

### Leaving the platform

The stairlift has been designed to stop in the correct position at each station.

- Keep the directional control button pressed until the barrier has folded up and the ramp has folded down to the correct position. When the barrier is fully opened (and the ramps are fully folded down), release the directional control.

Lift up barrier arm and switch off the key switch



- Switch off the platform control by turning the key into "OFF" position. Take out the key. Now you can leave the platform.
- After leaving the platform you have to switch on the wall control by putting in and turning the key.



Lift up the armrests before leaving the platform when using a carriage with seat performance!

- Press the "Up"-Button and the platform folds up as long as you hold the button. Press the "Up"-Button until the platform is folded up completely. Now switch off the wall control by turning back the key to position "OFF". Take out the key before travelling away from the stairlift.

Leave platform



Make sure nobody can be panned in when closing the platform. Always watch the platform during folding. If there is any danger immediately release the control button.



By folding up the platform the wall controls (landing controls) will be re-activated. Otherwise other users may not be able to use the lift. The carriage can be sent to the desired parking position.

- To avoid unauthorised use of the stairlift, always switch it off with the key when not in use.

Close platform



## TROUBLESHOOTING

For safety reasons, the *STRATOS* stairlift is equipped with several electrical and mechanical locking devices. The stairlift will not work if any of these devices are tripped or if the order of events is incorrect. By following the instructions provided in the ensuing paragraphs, the user will be able to determine the reason for breakdown. Contact our service team! You must not manipulate, modify or remove any safety feature of the stairlift.

Work through the following instructions paragraph-by-paragraph. Do not skip any part! Be sure that the landing controls are deactivated whenever the platform is folded down.

Before troubleshooting, pay attention to the following:



When a landing control is activated, it automatically deactivates all other wall controls, i.e., the complete lift can only be controlled by one control at a time. If a wall control activates the parked lift no other wall control can manipulate the lift as long as this wall control is active.



Please check if the main power switch, located at the left side of the drive box by activating the platform through the key switch. The green lamp on the platform must now glow.



Please check if the batteries in the wall controls are working and exchange them if necessary.



Please check if the fuses in the distribution box of your house are working and turned on.

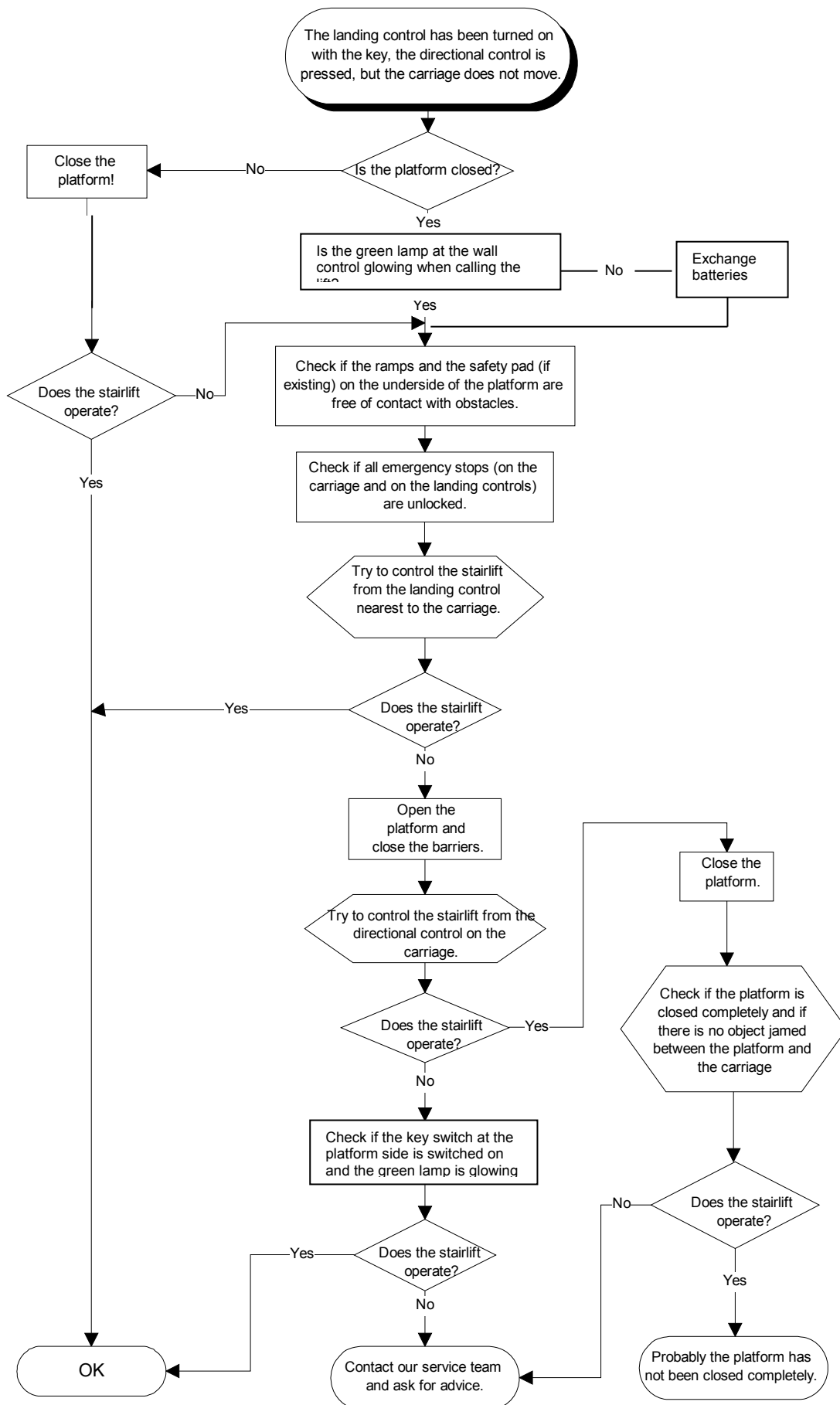


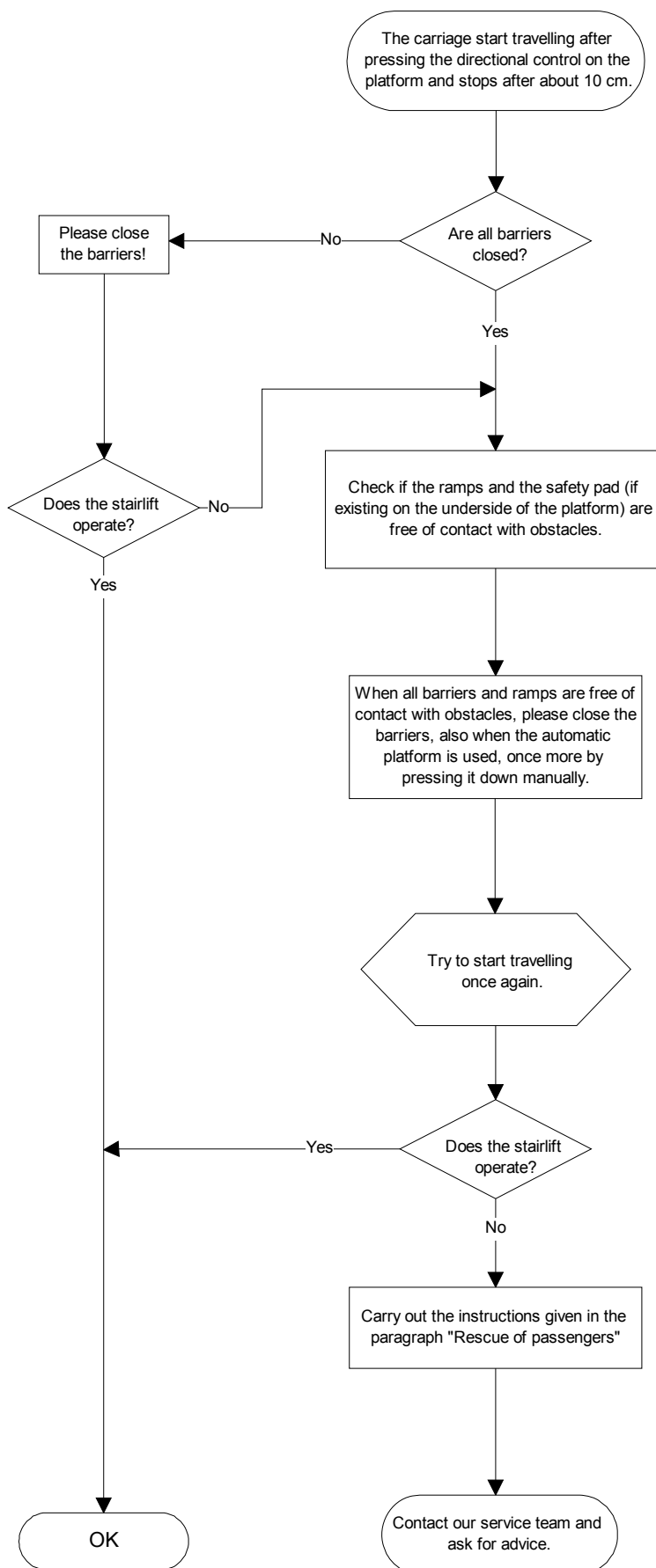
If the lift is giving acoustic signals please check the batteries as described in the section "battery charge system".



If you call the service please note your lift number. This you find at the front side under the name "Serial number". It is the easiest way to identify your lift to give fast and efficient advice.







## RESCUE OF PASSENGERS

When the carriage stops between two stations and all instructions given on the previous page are checked, the passenger must be rescued from the carriage.

It has to be distinguished between the cases where the platform stops close to the stop position or if it stops in the middle of the rail.



**Attention: Rescue of passengers can only be done by authorized people.**

**Case 1: The occupied platform is near a stop position.**

**Notice: The main power switch is on the side of the platform wall.**

Main power switch



1. Switch of main power switch
2. Insert hand wheel
3. Tighten the hand lever for break release and turn the hand wheel until the next station has been reached.
4. At every landing the barrier can be opened manually at the side where leaving the platform is desired.
5. Now the wheelchair driver can leave the platform.
6. If using a manual platform, close the platform as usual. That means: First close the barriers and then fold up the platform!
7. If using an automatic platform, first fold down the barrier to the closed position. Then the platform can be closed without any problem. The platform must be locked with the padlock on the carriage.
8. Call your service team!

Break release



Insert hand wheel

Hand wheel and break lever

**Case 2: The occupied platform is not close to a stop position.**



For the rescue of the passenger **two persons** are needed! If there is only one person available, it is necessary to wind the carriage into the next station (see case 1).

Notice: The main power switch is on the side of the platform wall.

Main power switch



1. Switch of main power switch
2. Insert hand wheel
3. Tighten the hand lever for break release and turn the hand wheel until the position has been reached where the distance between the rail and the steps are minimal.
4. *Emergency unclamping of the barrier.* In order to open the barrier when not in a station, please carry out the following instructions. It is only permitted to open the barrier up to the stairs (see page 20). Otherwise one could face the danger of falling or rolling down. Detailed instruction for the emergency unclamping is given on page 29.

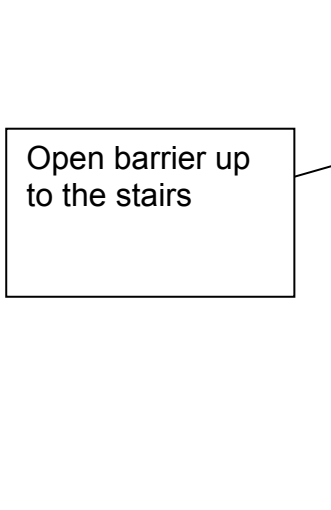
Break release



Insert hand wheel



Hand wheel and break lever



Open barrier up to the stairs

5. The wheelchair driver can now be lifted down from the platform
6. If using a manual platform, close the platform as usual. That means: First close the barriers and then fold up the platform!
7. If using an automatic platform, first fold down the barrier to the closed position. Now the platform can be closed without any problem. The platform must be locked with the padlock on the carriage.
8. Call your service team!

Always rescue  
with two people  
assisting



## Emergency unclamping of barriers:

For unclamping a barrier somewhere out of a station, press the lever located at the back of the carriage.

The position of this lever is shown in detail on the drawing beside.

### **Attention:**



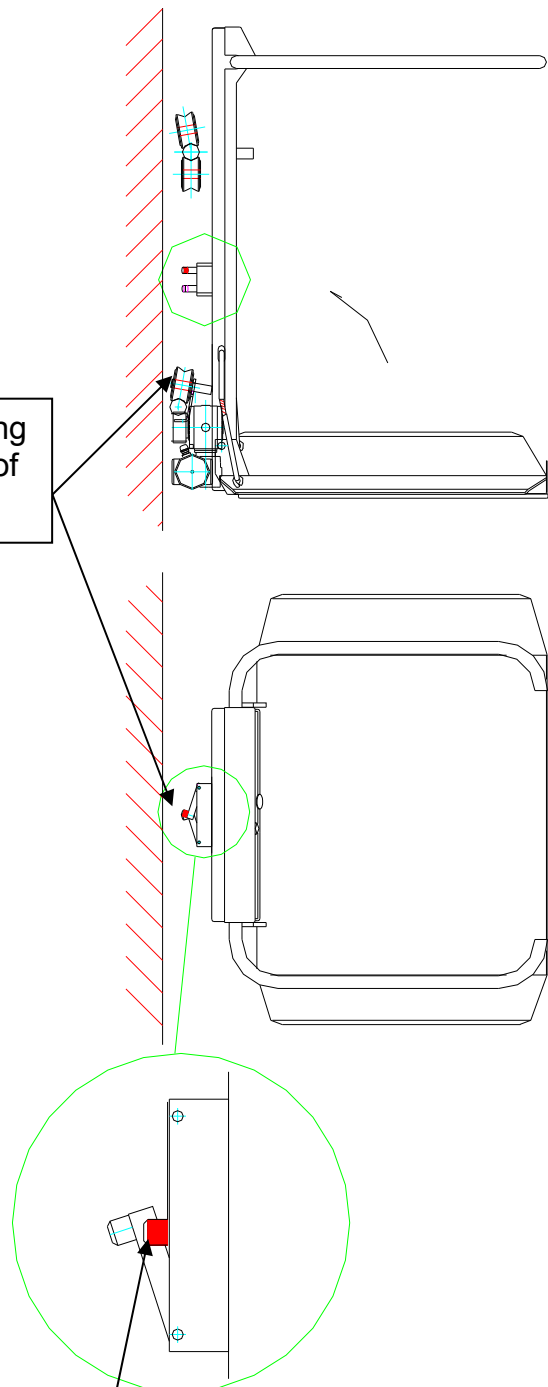
The red, marked lever must be pressed for unlocking the barrier up to the stairs. Do not press the unmarked lever, in this case the downside barrier would be opened and there is danger of falling down the stairs!

Press and hold this lever and open the barrier with an abrupt pull!



Levers for unclamping are at the backside of the platform

The lever for the emergency unclamping of the barrier (up to the stairs) is marked **RED !**



## **ERECTION**

### **Electrical installation**

Only LEHNER or one of our authorised partners is allowed to carry out the electrical installation.

If someone else does the electrical installation, you will lose the right to use the lift.

LEHNER does not assume any liability for damages caused by the electrical installation carried out by an unauthorised third party.

### **Installation**

Only LEHNER or one of our authorised partners is allowed to install the stairlift.

Handling or rebuilding the lift will result in the loss of permission for using it.

LEHNER does not assume any liability for damages caused by the improper installation of the lift carried out by an unauthorised third party.

### **Dismantling**

Only LEHNER or one of our authorised partners is allowed to dismantle the stairlift.

We do not take over any liability for damages caused by the contravention of this rule.

## **CHARGES OF THE OPERATOR**



*The unit must only be activated, if a technical expert issues a result without any defects. (Exception: The local law doesn't prescribe this)! Otherwise a safety operation is not guaranteed!*



*It has to be noted that additional to the owner an introduced person is reachable. To guarantee the evacuation of a person who needs help on the platform (i.e. technical defect) the owner of the lift needs to reach this person easily.*

**Is an emergency call device** existing, this device has to be checked regularly (min. once a week) regarding its function.

In case that some others has to be summoned (i.e. by phone), an adequate access to the location of the lift has to exist.

The operator of the lift is obligated to assure an adequate maintenance of the unit. Therefore it is very important that a scheduled service will be specified before the stairlift will be operated.

Services have to be done by skilled persons to guarantee a containing safety of the lift. General maintenance can be founded within the separate capture in this user manual.

The exertion of the lift has to be strictly limited to the given purpose!

The user manual has to be located at an adequate place where all authorized persons have access.



**A save access to the building and the stairlift has to be assured permanently**, especially in emergency cases, maintenance works or inspections.



The maintenance service team has to be informed about irregularities during the operation as well as emergency situations immediately. Additionally about modifications on the building or at the lift, which could take affect on the situation/operation of the lift.



## **MAINTENANCE**

It is absolutely necessary that the lift is regularly serviced.

It is recommended that a service contract be made with the supplier.

LEHNER or any of our authorised partners offers a special maintenance program adapted to the frequency of use.

### **Attention!!!**



When the legal provisions do not prescribe a technical approval test or a yearly inspection carried out by a council or a civil engineer, we demand a yearly inspection of all safety components in the course of a service. We will refuse all liability if neither a service contract nor regular servicing is arranged.

### **Check-up and care**

Check the following points at regular intervals, at least once a week.

1. The carriage must not start travelling until the barrier is completely folded down and the ramp is turned down to the appropriate position.
2. It should be impossible to fold up the barriers while travelling. This should be tested between two stop positions.
3. Check if the barriers are closed and if the ramps are folded up while travelling. If the ramps run against an obstacle or if the user presses down the ramp, the carriage will have to stop immediately. The linkage between barriers and ramps must be in faultless condition (safely screwed on, no damage of the rope).
4. The carriage has to stop automatically at every stop position.
5. The carriage must stop when the directional control is released. The brake has to be activated immediately.
6. The emergency stop button must put the whole stairlift out of operation.
7. If an emergency call system is in place, ensure that it works.
8. Remove dust and dirt from the tubes of the railway at regular intervals.
9. Keep the access free to the drive and to the main power switch.

For cleaning the stairlift use a damp cloth and normal household stains.



All further maintenance work is only allowed to be done by LEHNER or any of our authorised partners.

**Installation and maintenance notes**

Installed by: \_\_\_\_\_ Date: \_\_\_\_\_

This is a maintenance list for your stairlift. This form will be filled out by your maintenance service team.

<b>Date</b>	<b>Details</b>	<b>Name</b>

Date	Details	Name